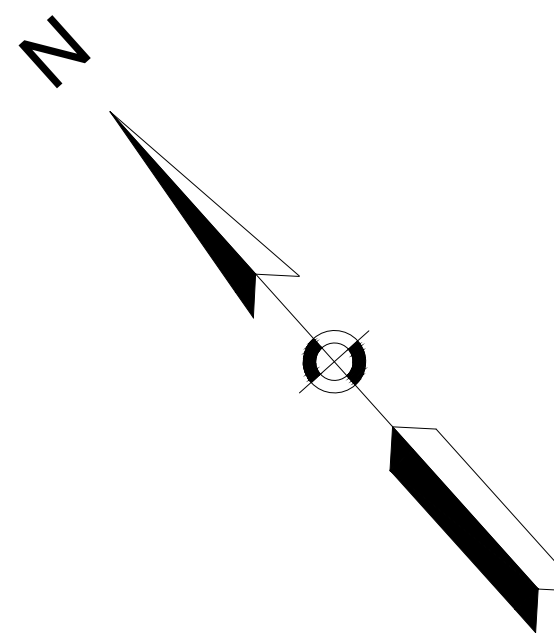


CHATHAM
 MAIN STREET (ROUTE 28) FROM
 GEORGE RYDER ROAD TO BARN HILL ROAD

STATE	FED. AID PROJ. NO.	SHEET NO.	TOTAL SHEETS
MA	CMQ/TAP/STP-003S(158)	70	109
PROJECT FILE NO.		606596	

LANDSCAPE PLANS



PLANTING SCHEDULE/LEGEND						
SYMBOL	ABBREVIATIONS	QTY.	LATIN NAME	COMMON NAME	SIZE	NOTES
	SS	205	SCHIZACHARIUM SCOPARIUM	LITTLE BLUESTEM GRASS	1 GAL.	PLANT 18" O.C., TRIANGULATED
	SH	16	SPOROBOLUS HETEROLEPIS	PRAIRIE DROPSEED	1 GAL.	
	EP	12	ECHINACEA PURPUREA	PURPLE CONEFLOWER	2 QUART	
	AMC	3	AMELANCHIER CANADENSIS	SERVICEBERRY - SHADBLOW	6 - 8 FT.	
	MP	4	MYRICA PENSYLVANICA	NORTHERN BAYBERRY	2-3 FT.	SPACING 4.5' ON CENTER
	LS	181	LIRIOPE SPICATA	LILYTURF	2 QUART.	
	SP	20	SPIRAEA X BUMALDA - 'ANTHONY WATERER'	SPIREA - 'ANTHONY WATERER'	2-3 FT.	
	HAS	45	HEMEROCALLIS 'APRICOT SPARKLES'	APRICOT SPARKLES DAYLILY	1 GAL.	SPACING 1.5' ON CENTER
	HGB	45	HEMEROCALLIS 'GOING BANANAS'	GOING BANANAS DAYLILY	1 GAL.	SPACING 1.5' ON CENTER
	HRR	45	HEMEROCALLIS 'ROSY RETURNS'	ROSY RETURNS DAYLILY	1 GAL.	SPACING 1.5' ON CENTER

N/F
 NEW CREEK II LLC
 MAP 8E, LOT 52-27A
 BK.25979, PG.95

N/F
 THE SUMNER G. N. HARDING TRUST OF 1997
 THE JEAN C. HARDING TRUST OF 1997
 MAP 8E, LOT 53-27
 BK.11030, PG.34

GEORGE RYDER ROAD STA 300+28.00 =
 GEORGE RYDER ROUNDABOUT STA 500+34.41
 N 2713164.719
 E 1067122.849

MAIN STREET STA 105+05.70 =
 GEORGE RYDER ROUNDABOUT STA 500+98.81
 N 2713117.030
 E 1067141.526

MAIN STREET STA 104+77.54 =
 GEORGE RYDER ROAD STA 300+00
 N 2713136.681
 E 1067121.721

MAIN STREET STA 103+69.71 =
 GEORGE RYDER ROAD SOUTH STA 600+00
 N 2713181.392
 E 1067024.360

N/F
 RONALD C. MESERVEY
 MAP 8E, LOT 37-15
 BK.2631, PG.28

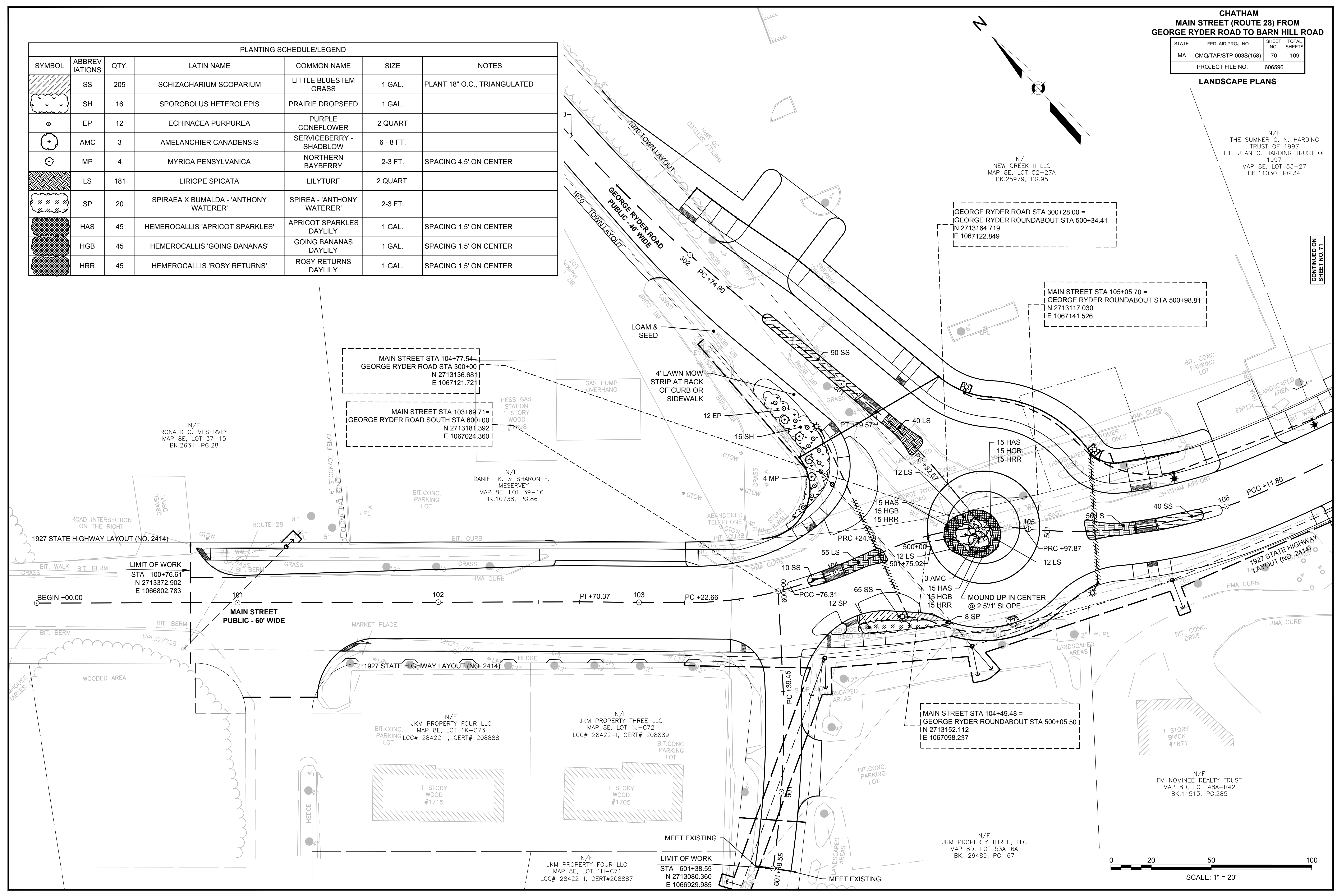
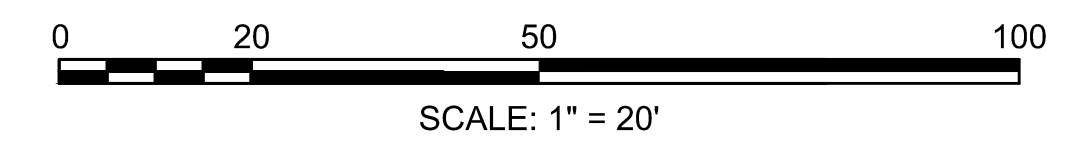
N/F
 DANIEL K. & SHARON F. MESERVEY
 MAP 8E, LOT 39-16
 BK.10738, PG.86

MAIN STREET STA 104+49.48 =
 GEORGE RYDER ROUNDABOUT STA 500+05.50
 N 2713152.112
 E 1067098.237

N/F
 FM NOMINEE REALTY TRUST
 MAP 8D, LOT 48A-R42
 BK.11513, PG.285

N/F
 JKM PROPERTY THREE, LLC
 MAP 8D, LOT 53A-6A
 BK. 29489, PG. 67

LIMIT OF WORK
 STA 601+38.55
 N 2713080.360
 E 1066929.985



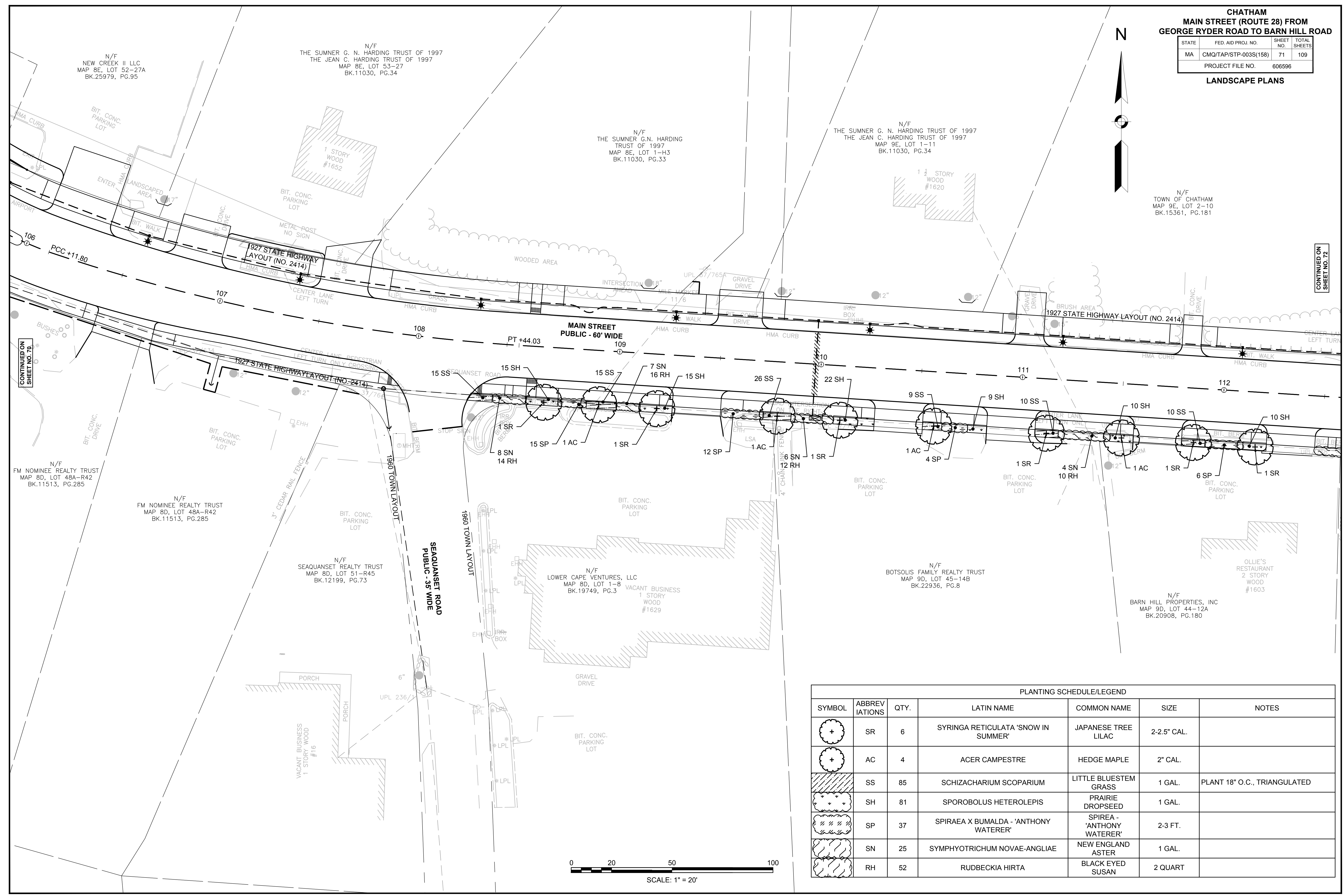
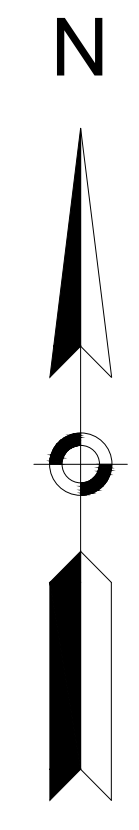
CONTINUED ON SHEET NO. 71

606596_LD_LANDSCAPE PLAN.DWG Plotted on 30-Mar-2018 2:15 PM

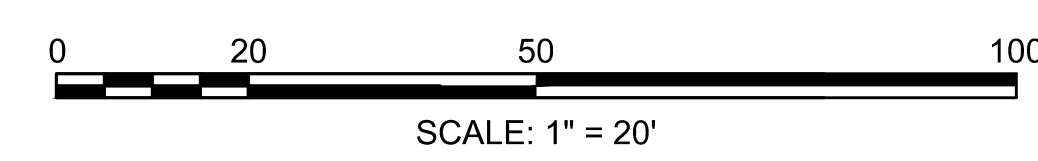
**CHATHAM
MAIN STREET (ROUTE 28) FROM
GEORGE RYDER ROAD TO BARN HILL ROAD**

STATE	FED. AID PROJ. NO.	SHEET NO.	TOTAL SHEETS
MA	CMQ/TAP/STP-003S(158)	71	109
PROJECT FILE NO.		606596	

LANDSCAPE PLANS



PLANTING SCHEDULE/LEGEND						
SYMBOL	ABBREVIATIONS	QTY.	LATIN NAME	COMMON NAME	SIZE	NOTES
	SR	6	SYRINGA RETICULATA 'SNOW IN SUMMER'	JAPANESE TREE LILAC	2-2.5" CAL.	
	AC	4	ACER CAMPESTRE	HEDGE MAPLE	2" CAL.	
	SS	85	SCHIZACHARIUM SCOPARIUM	LITTLE BLUESTEM GRASS	1 GAL.	PLANT 18" O.C., TRIANGULATED
	SH	81	SPOROBOLUS HETEROLEPIS	PRAIRIE DROPSEED	1 GAL.	
	SP	37	SPIRAEA X BUMALDA - 'ANTHONY WATERER'	SPIREA - 'ANTHONY WATERER'	2-3 FT.	
	SN	25	SYMPHYOTRICHUM NOVAE-ANGLIAE	NEW ENGLAND ASTER	1 GAL.	
	RH	52	RUDBECKIA HIRTA	BLACK EYED SUSAN	2 QUART	



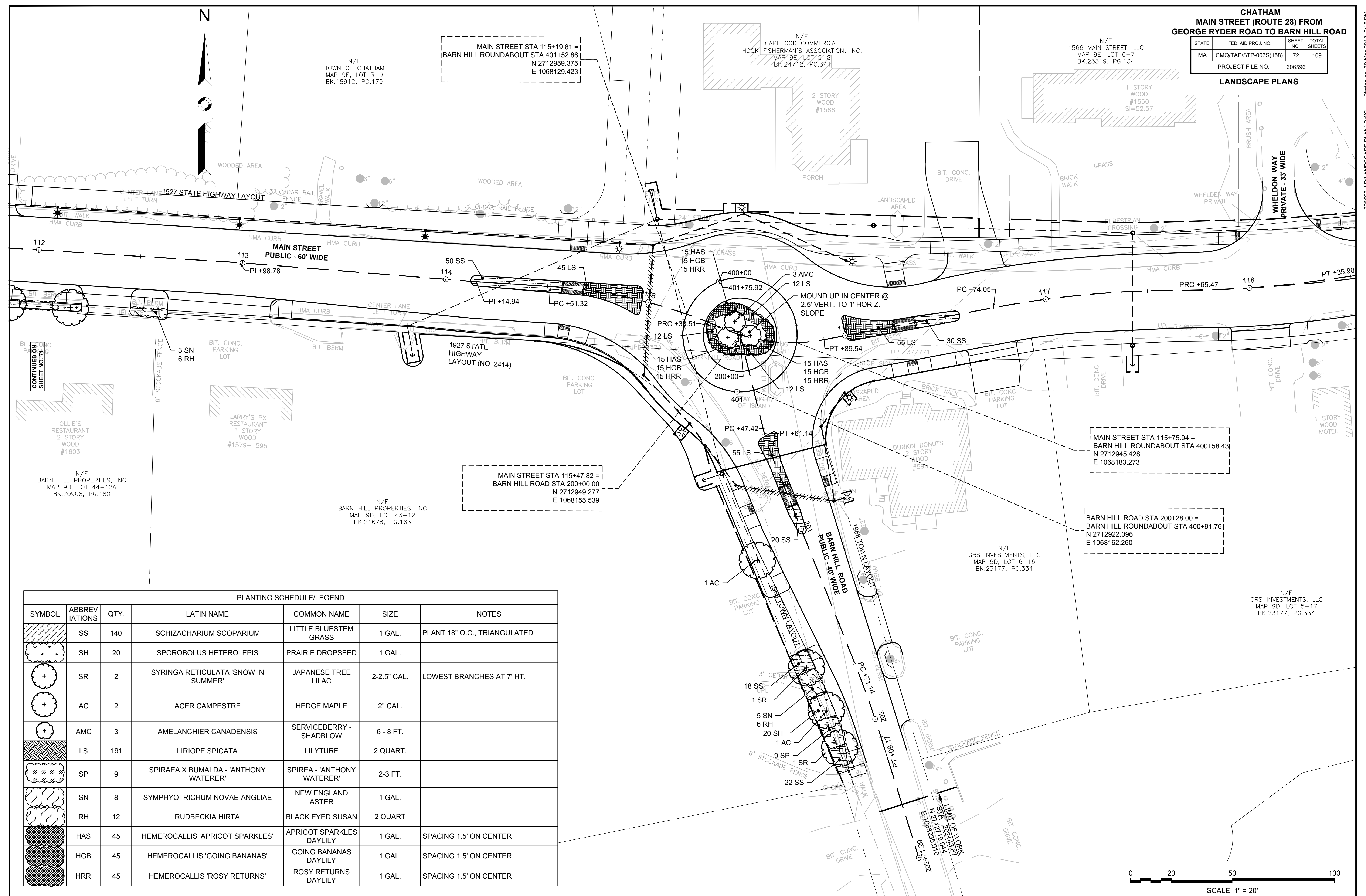
CONTINUED ON SHEET NO. 70

CONTINUED ON SHEET NO. 72

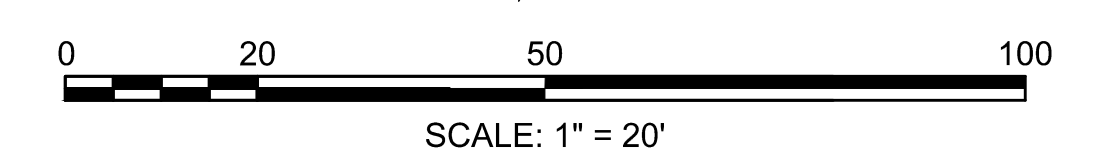
CHATHAM
 MAIN STREET (ROUTE 28) FROM
 GEORGE RYDER ROAD TO BARN HILL ROAD

STATE	FED. AID PROJ. NO.	SHEET NO.	TOTAL SHEETS
MA	CMQ/TAP/STP-003S(158)	72	109
PROJECT FILE NO.		606596	

LANDSCAPE PLANS



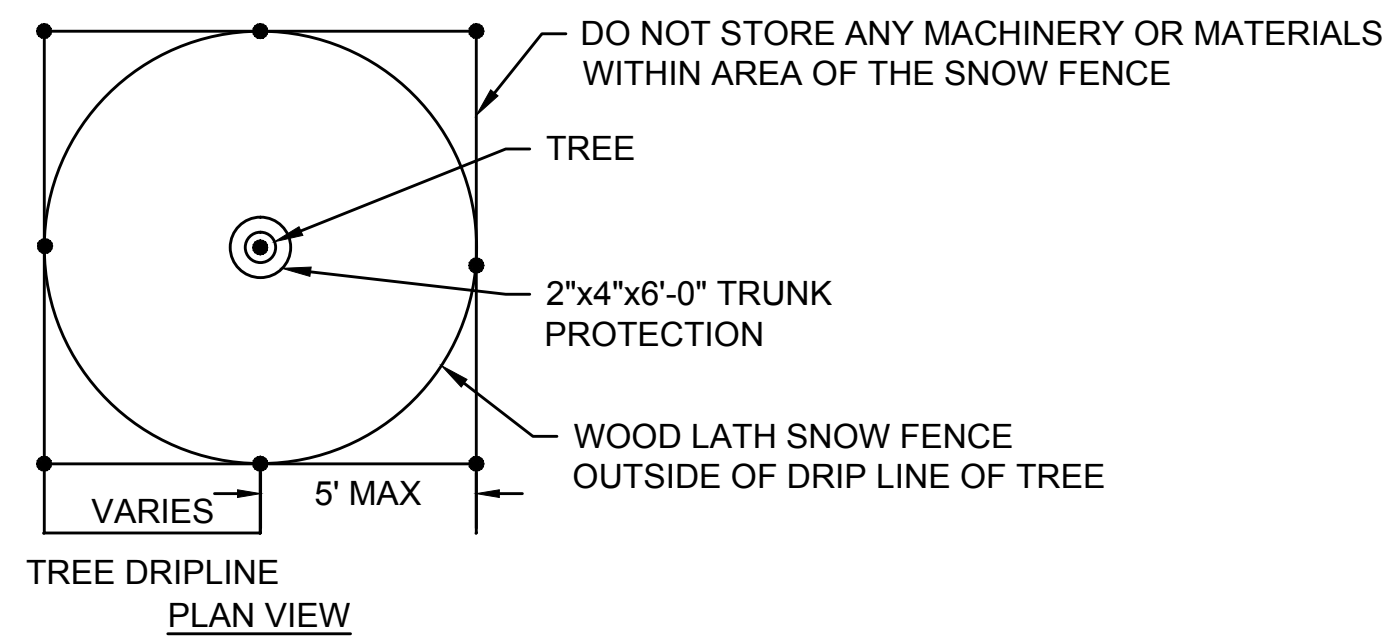
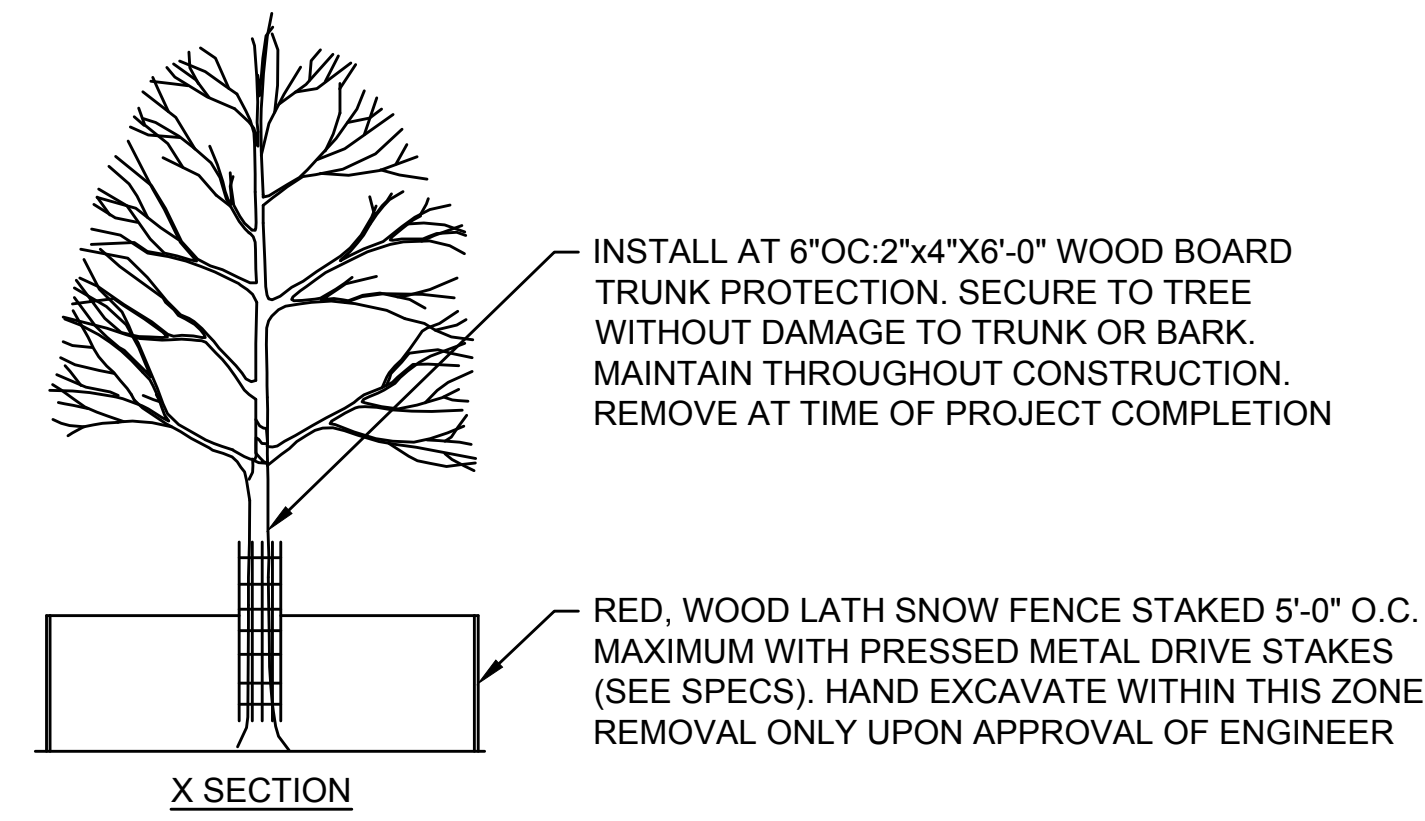
PLANTING SCHEDULE/LEGEND						
SYMBOL	ABBREVIATIONS	QTY.	LATIN NAME	COMMON NAME	SIZE	NOTES
	SS	140	SCHIZACHARIUM SCOPARIUM	LITTLE BLUESTEM GRASS	1 GAL.	PLANT 18" O.C., TRIANGULATED
	SH	20	SPOROBOLUS HETEROLEPIS	PRAIRIE DROPSEED	1 GAL.	
	SR	2	SYRINGA RETICULATA 'SNOW IN SUMMER'	JAPANESE TREE LILAC	2-2.5" CAL.	LOWEST BRANCHES AT 7' HT.
	AC	2	ACER CAMPESTRE	HEDGE MAPLE	2" CAL.	
	AMC	3	AMELANCHIER CANADENSIS	SERVICEBERRY - SHADBLOW	6 - 8 FT.	
	LS	191	LIRIOPE SPICATA	LILYTURF	2 QUART.	
	SP	9	SPIRAEA X BUMALDA - 'ANTHONY WATERER'	SPIREA - 'ANTHONY WATERER'	2-3 FT.	
	SN	8	SYMPHYOTRICHUM NOVAE-ANGLIAE	NEW ENGLAND ASTER	1 GAL.	
	RH	12	RUDBECKIA HIRTA	BLACK EYED SUSAN	2 QUART	
	HAS	45	HEMEROCALLIS 'APRICOT SPARKLES'	APRICOT SPARKLES DAYLILY	1 GAL.	SPACING 1.5' ON CENTER
	HGB	45	HEMEROCALLIS 'GOING BANANAS'	GOING BANANAS DAYLILY	1 GAL.	SPACING 1.5' ON CENTER
	HRR	45	HEMEROCALLIS 'ROSY RETURNS'	ROSY RETURNS DAYLILY	1 GAL.	SPACING 1.5' ON CENTER



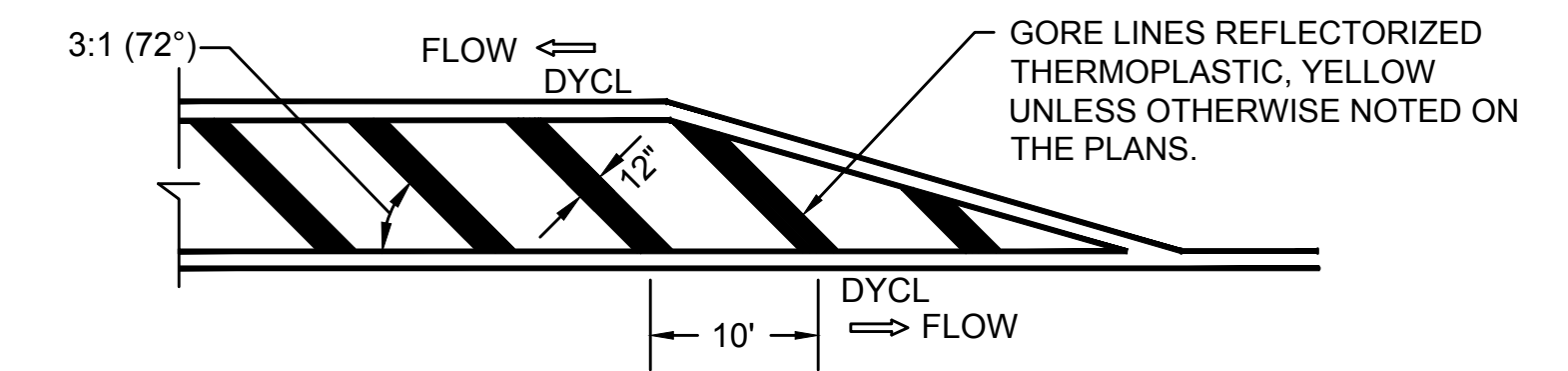
STATE	FED. AID PROJ. NO.	SHEET NO.	TOTAL SHEETS
MA	CMQ/TAP/STP-003S(158)	73	109
PROJECT FILE NO.		606596	

CONSTRUCTION DETAILS

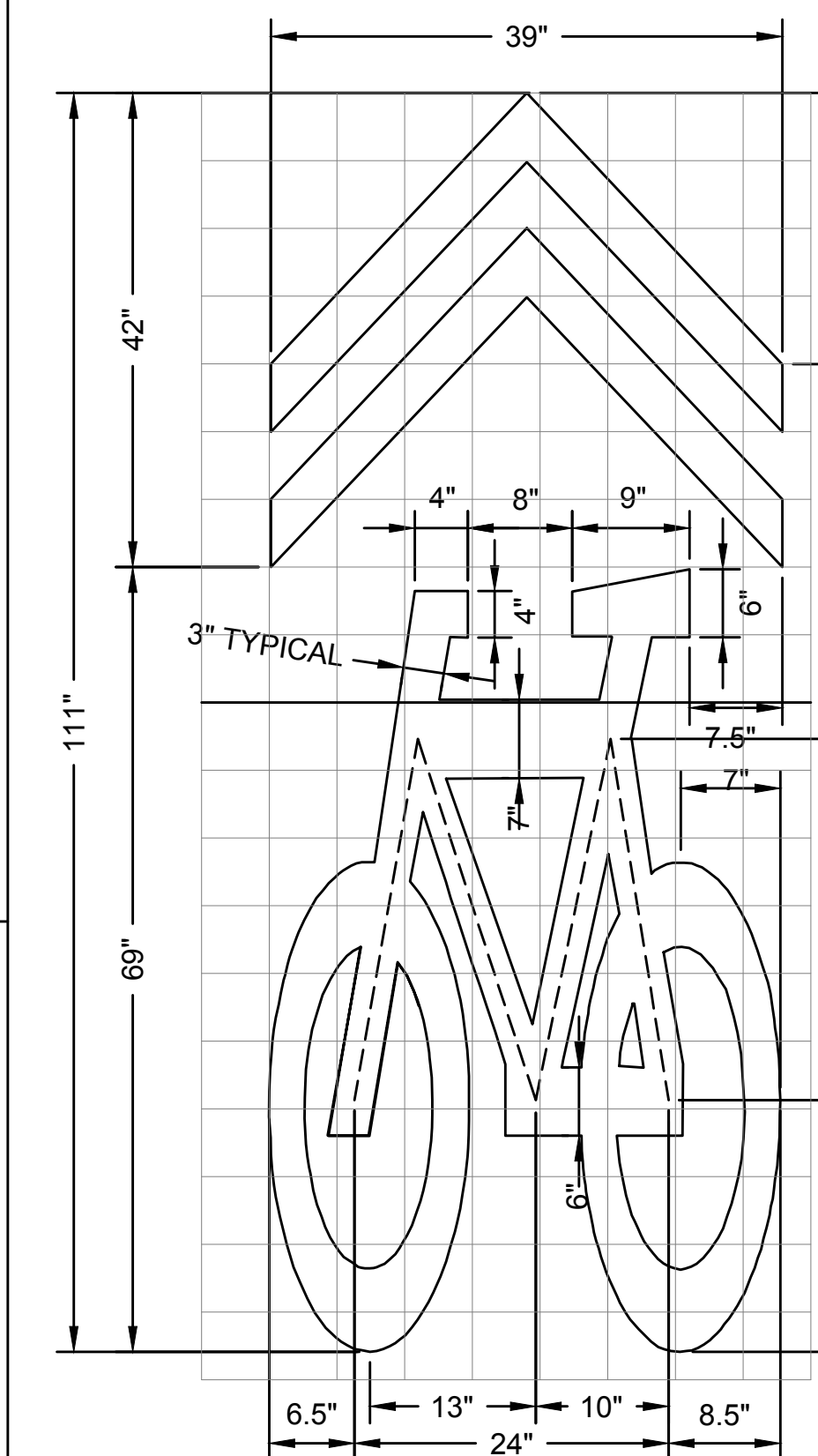
MASTER PLANT LIST						
SYMBOL	ABBREVIATIONS	QTY.	LATIN NAME	COMMON NAME	SIZE	NOTES
	SR	6	SYRINGA RETICULATA 'SNOW IN SUMMER'	JAPANESE TREE LILAC	2-2.5" CAL.	
	AC	4	ACER CAMPESTRE	HEDGE MAPLE	2" CAL.	
	SS	447	SCHIZACHARIUM SCOPARIUM	LITTLE BLUESTEM GRASS	1 GAL.	PLANT 18" O.C., TRIANGULATED
	SH	161	SPOROBOLUS HETEROLEPIS	PRAIRIE DROPSEED	1 GAL.	
	EP	25	ECHINACEA PURPUREA	PURPLE CONEFLOWER	2 QUART	
	QC	4	QERCUS COCCINEA	SCARLET OAK	2-2.5" CAL.	LOWEST BRANCHES AT 7' HT.
	AMC	6	AMELANCHIER CANADENSIS	SERVICEBERRY - SHADBLOW	6 - 8 FT.	
	MP	24	MYRICA PENSYLVANICA	NORTHERN BAYBERRY	2-3 FT.	SPACING 4.5' ON CENTER
	LS	372	LIRIOPE SPICATA	LILYTURF	2 QUART.	
	SP	66	SPIRAEA X BUMALDA - 'ANTHONY WATERER'	SPIREA - 'ANTHONY WATERER'	2-3 FT.	
	SN	33	SYMPHYOTRICHUM NOVAE-ANGLIAE	NEW ENGLAND ASTER	1 GAL.	
	RH	66	RUDBECKIA HIRTA	BLACK EYED SUSAN	2 QUART	
	HAS	90	HEMEROCALLIS 'APRICOT SPARKLES'	APRICOT SPARKLES DAYLILY	1 GAL.	SPACING 1.5' ON CENTER
	HGB	90	HEMEROCALLIS 'GOING BANANAS'	GOING BANANAS DAYLILY	1 GAL.	SPACING 1.5' ON CENTER
	HRR	90	HEMEROCALLIS 'ROSY RETURNS'	ROSY RETURNS DAYLILY	1 GAL.	SPACING 1.5' ON CENTER



TREE PROTECTION
 NOT TO SCALE



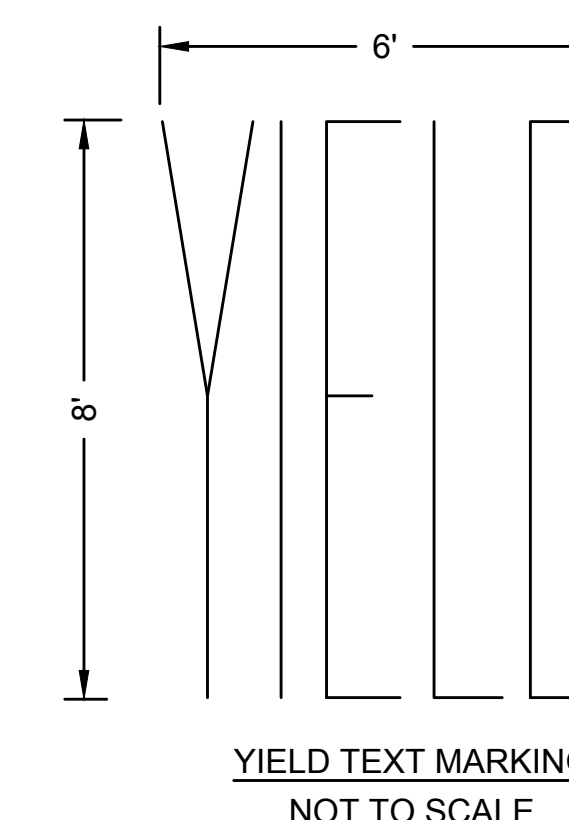
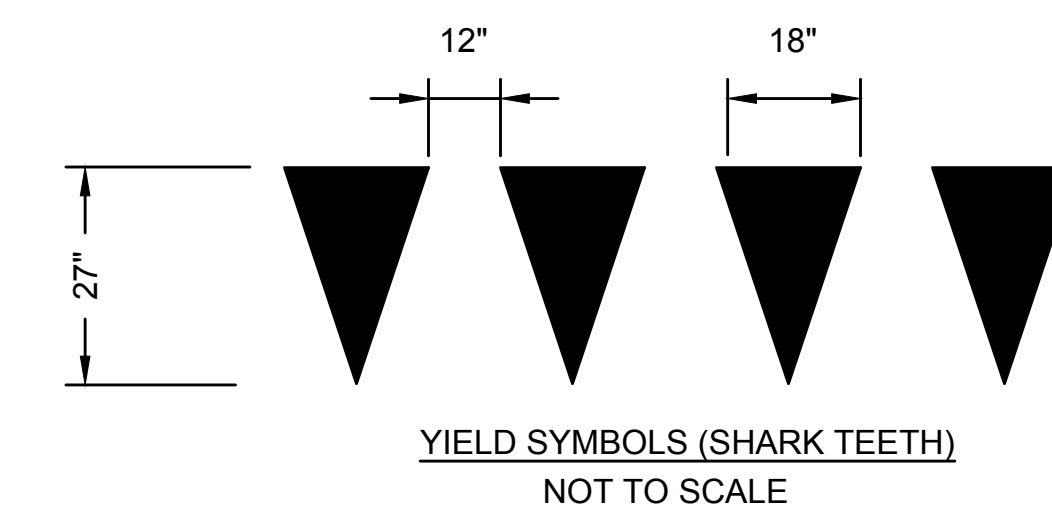
STANDARD CROSS-HATCHING
 NOT TO SCALE



SHARED LANE SYMBOL PLACEMENT NOTES:

1. IN LOCATIONS WITH ON-STREET PARKING, SHARED LANE MARKING SYMBOLS SHALL BE PLACED SO THAT THE CENTER IS A MINIMUM OF 11 FEET FROM THE ADJACENT FACE OF CURB.
2. IN LOCATIONS WITHOUT ON-STREET PARKING, SHARED LANE MARKING SYMBOLS SHALL BE PLACED SO THAT THE CENTER IS 4 FEET FROM THE ADJACENT FACE OF CURB.
3. IF LOCATED IN A TURN LANE, SHARED LANE MARKING SYMBOLS SHALL BE CENTERED IN THE LANE.
4. DO NOT PLACE SYMBOLS ON LANE LINES.
5. SHARED LANE SYMBOLS SHALL BE PLACED A MAXIMUM OF 500 FEET APART.

SHARED LANE SYMBOL DETAIL
 NOT TO SCALE

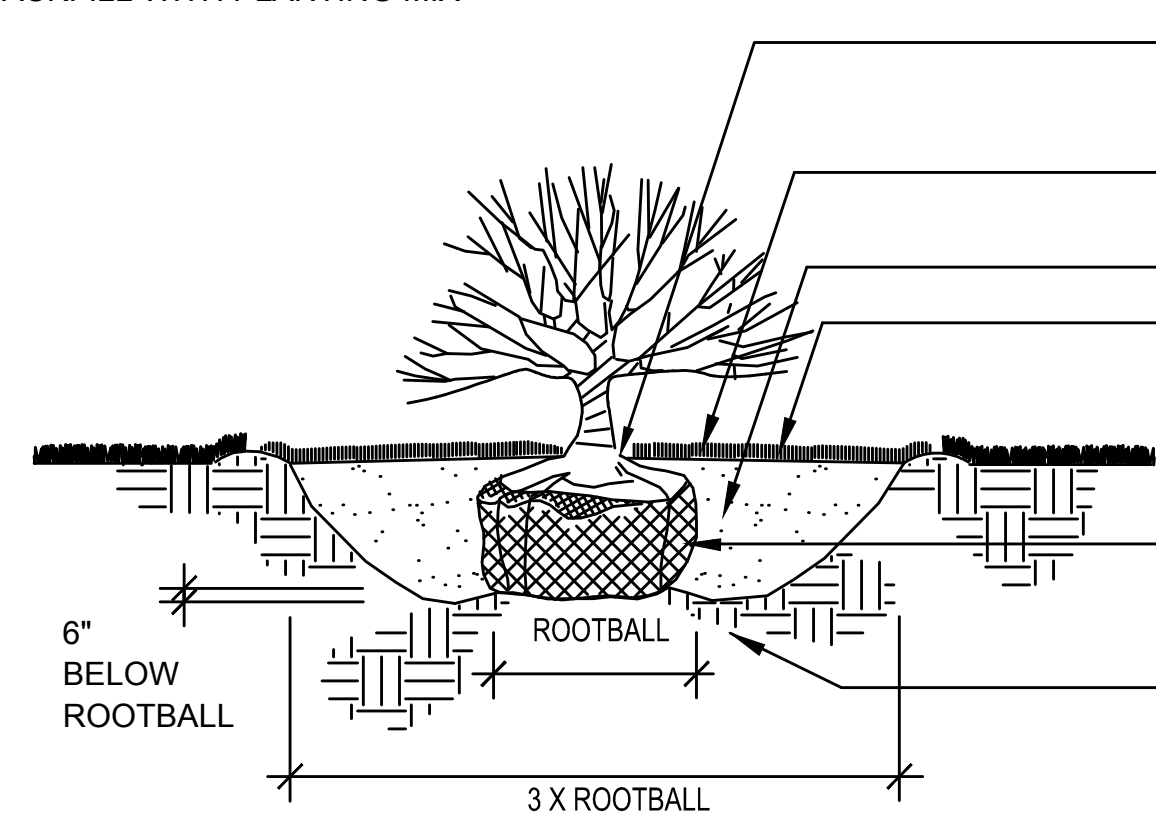


- NOTES:
 1. LETTER WIDTH AND SPACING VARIES.

RAISE AND REPLANT ANY SHRUBS WHICH SETTLE MORE THAN 2 INCHES AFTER PLANTING & WATERING IN SHRUBS SHALL BE SET PLUMB

WATER BY FLOODING TWICE IN FIRST TWO HOURS AFTER PLANTING. WATER & MAINTAIN AS PER STANDARD SPECIFICATIONS

EXCAVATE TO REQUIRED DEPTH AND BACKFILL WITH PLANTING MIX



SHRUB SHALL BE PLANTED SO THAT CROWN IS 2 INCH MIN. ABOVE FINISHED GRADE AFTER SETTLEMENT

2-3 INCH DEPTH AGED PINE BARK MULCH (PULL AWAY FROM BASE OF SHRUB)

BACKFILL MIX PER SPECIAL PROVISIONS

3 INCH HIGH EARTH WATERING SAUCER AROUND PIT

COMPLETELY REMOVE SYNTHETIC BURLAP AND LACING. FOR CONTAINERIZED PLANTS, REMOVE CONTAINER PRIOR TO PLANTING

UNDISTURBED SUBGRADE

LOOSE OR CRACKED ROOTBALLS WILL NOT BE ACCEPTED FOR PLANTING

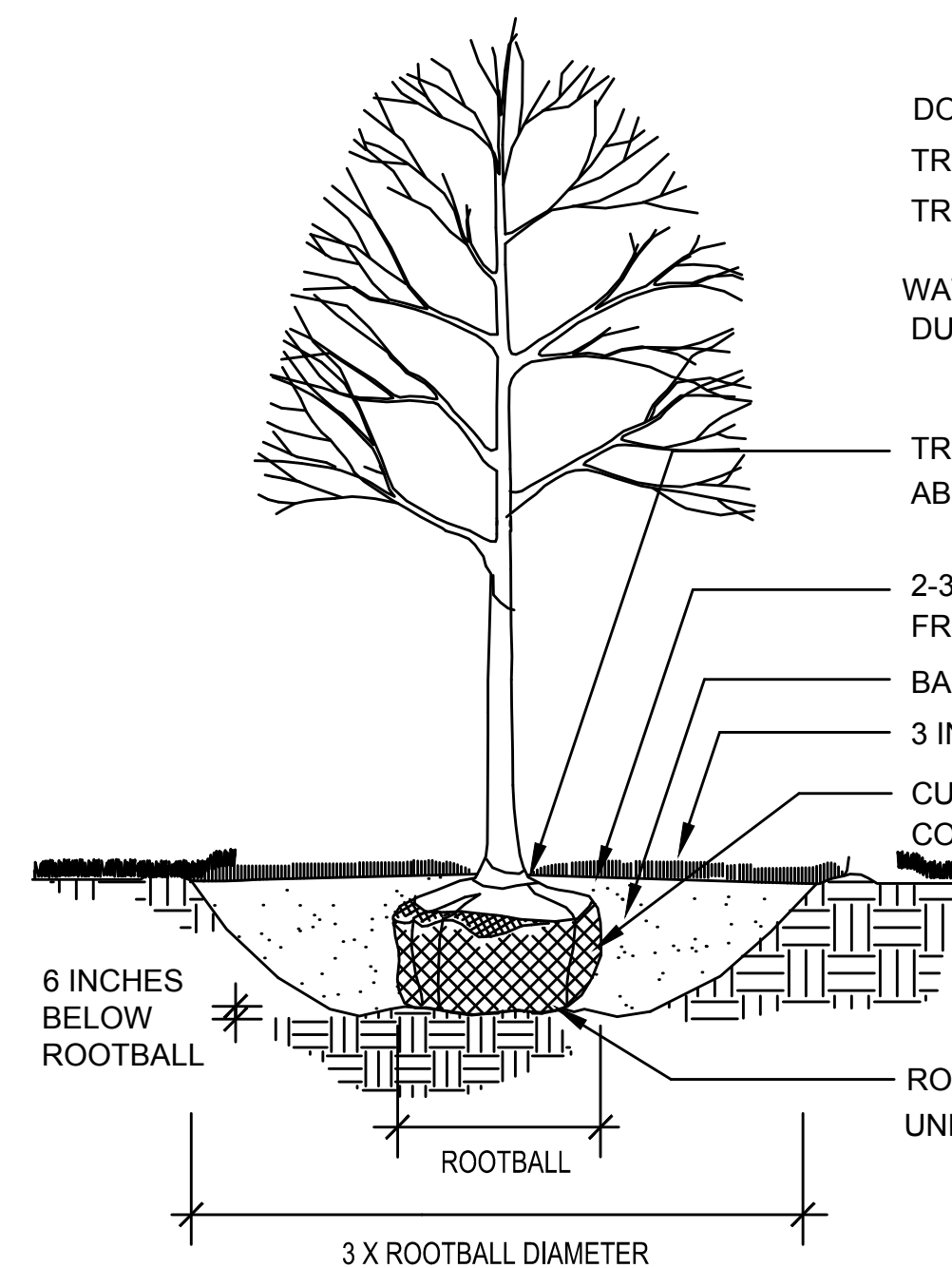
SHRUB PLANTING
 NOT TO SCALE

DO NOT CUT LEADER

TREE WRAP SHALL NOT BE USED

TREE SHALL BE SET PLUMB

WATERING SAUCER SHALL BE FLOODED TWICE DURING THE FIRST 24 HOURS AFTER PLANTING



TREE SHALL BE PLANTED SO THAT CROWN IS 3 INCHES ABOVE FINISHED GRADE AFTER SETTLEMENT

2-3 INCHES AGED PINE BARK MULCH (PULL MULCH AWAY FROM TRUNK OF TREE)

BACKFILL MIX PER SPECIAL PROVISIONS

3 INCH HIGH EARTH WATERING SAUCER AROUND TREE PIT

CUT & ROLL BACK 1/3 OF BURLAP BEFORE BACKFILLING. COMPLETELY REMOVE SYNTHETIC BURLAP & LACING. REMOVE WIRE BASKETS COMPLETELY.

ROOTBALL SHALL BE PLACED ON UNDISTURBED SUBGRADE

DECIDUOUS TREE PLANTING
 NOT TO SCALE